

# Junction Box Connectivity Products

## Multibox® Minifast® Junction Boxes, 3-Pin

- 4, 6 and 8 Ports
- M23 Quick Disconnect, Minifast Connector or Integral Home Run Cable
- Simplifies Wiring Installations



### 4-Port, 250 VAC/300 VDC

Application	Specifications	Pinout				Part Number
4-port J-box Standard wiring Integral cable	4 A/port, 9 A total PVC cable, black, 6x18 AWG, foil shield and 20 AWG drain	<u>Function</u> Common (L1) Ground J1 Load (L2)	<u>Color</u> WH GN RD	<u>Function</u> J2 Load (L2) J3 Load (L2) J4 Load (L2)	<u>Color</u> OG BK BU	4 RKF 30-*M
4-port J-box Standard wiring Multifast® connector	4 A/port, 7 A total 12-pin Multifast connector, 6 conductors. Mates with CKRM 12-6-*	<u>Function</u> Common (L1) Ground J1 Load (L2)	<u>Pin / Color</u> 5 / WH 7 / GN 6 / RD	<u>Function</u> J2 Load (L2) J3 Load (L2) J4 Load (L2)	<u>Pin / Color</u> 1 / OG 4 / BK 2 / BU	4 RKF 30-CS12
4-port J-box Standard wiring Minifast connector	4 A/port, 6 A total 6-pin Minifast connector, 6 conductors. Mates with RKM 61-*M	<u>Function</u> Common (L1) Ground J1 Load (L2)	<u>Pin / Color</u> 1 / WH 3 / GN 2 / RD	<u>Function</u> J2 Load (L2) J3 Load (L2) J4 Load (L2)	<u>Pin / Color</u> 4 / OG 5 / BK 6 / BU	4 RKF 30-B1161

### 6-Port, 250 VAC/300 VDC

Application	Specifications	Pinout				Part Number
6-port J-box Standard wiring Integral cable	4 A/port, 9 A total PVC cable, black, 8x18 AWG, foil shield and 20 AWG drain	<u>Function</u> Common (L1) Ground J1 Load (L2) J2 Load (L2)	<u>Color</u> WH GN RD OG	<u>Function</u> J3 Load (L2) J4 Load (L2) J5 Load (L2) J6 Load (L2)	<u>Color</u> BK BU YE BN	6 RKF 30-*M
6-port J-box Standard wiring Multifast connector	4 A/port, 7 A total 12-pin Multifast connector, 8 conductors. Mates with CKRM 12-8-*	<u>Function</u> Common (L1) Ground J1 Load (L2) J2 Load (L2)	<u>Pin / Color</u> 5 / WH 7 / GN 6 / RD 1 / OG	<u>Function</u> J3 Load (L2) J4 Load (L2) J5 Load (L2) J6 Load (L2)	<u>Pin / Color</u> 4 / BK 2 / BU 3 / YE 8 / BN	6 RKF 30-CS12

### 8-Port, 250 VAC/300 VDC

Application	Specifications	Pinout				Part Number
8-port J-box Standard wiring Integral cable	4 A/port, 9 A total PVC cable, black, 10x18 AWG, foil shield and 20 AWG drain	<u>Function</u> Common (L1) Ground J1 Load (L2) J2 Load (L2) J3 Load (L2)	<u>Color</u> WH GN RD VT BK	<u>Function</u> J4 Load (L2) J5 Load (L2) J6 Load (L2) J7 Load (L2) J8 Load (L2)	<u>Color</u> BU GY YE OG BN	8 RKF 30-*M
8-port J-box Standard wiring Multifast connector	4 A/port, 7 A total 12-pin Multifast connector, 10 conductors. Mates with CKRM 12-10-*	<u>Function</u> Common (L1) Ground J1 Load (L2) J2 Load (L2) J3 Load (L2)	<u>Pin / Color</u> 5 / WH 7 / GN 6 / RD 1 / VT 4 / BK	<u>Function</u> J4 Load (L2) J5 Load (L2) J6 Load (L2) J7 Load (L2) J8 Load (L2)	<u>Pin / Color</u> 2 / BU 3 / GY 8 / YE 9 / OG 10 / BN	8 RKF 30-CS12

\* Length in meters.

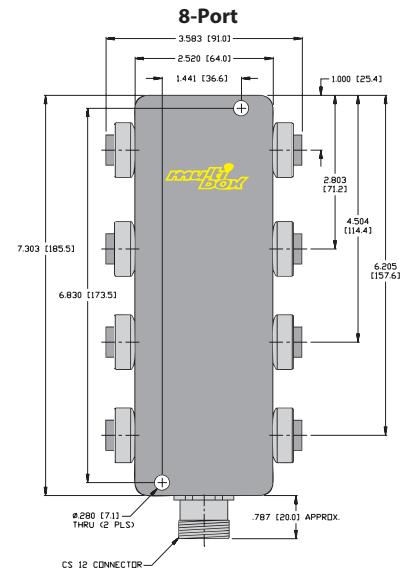
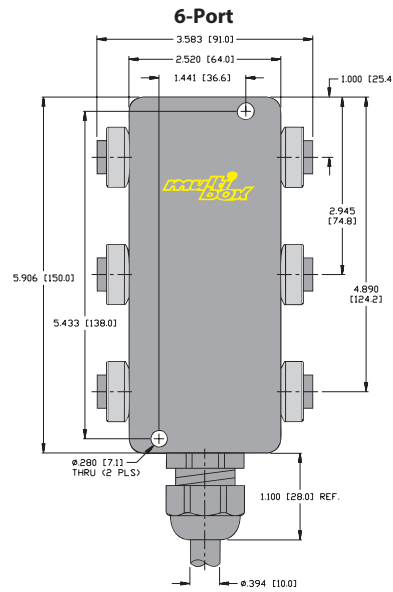
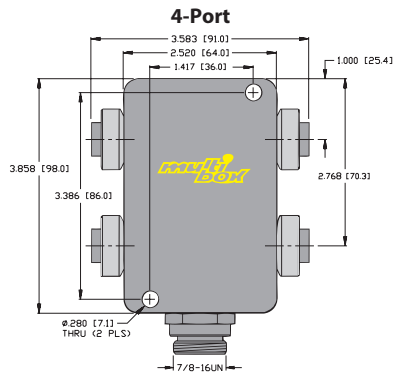
We reserve the right to make technical alterations without prior notice.

## Multibox® Minifast® Junction Boxes, 3-Pin

### Specifications

<b>Housing:</b>	Die cast aluminum alloy	<b>Temperature:</b>	-40 °C to +90 °C (-40 °F to +194 °F)
<b>Connectors:</b>	Nickel plated brass, oil resistant TPU contact carrier	<b>Protection Class:</b>	IEC IP67
<b>Contacts:</b>	Gold plated brass	<b>Cable Length:</b>	Standard cable length is 6 meters. Other lengths available by request - consult factory
<b>Cable:</b>	See table for specifications		

### Dimensions



We reserve the right to make technical alterations without prior notice.

multibox®, minifast®

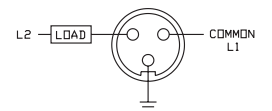
#### Notes

Clearance holes for 1/4-20 screws (2 places).  
All housings are 34 mm in height.

#### Pinout

3-pin Minifast	6-pin Minifast	12-pin Multifast®
Female	Male	Male

#### Wiring Diagrams



Load (L2) is individual output. Common (L1) and Ground are wired parallel internally.

# Junction Box Connectivity Products

## Multibox® Minifast® Junction Boxes, 3-pin

- 6 and 8 Ports
- Quick Disconnect Minifast Connector
- Simplifies Wiring Installations



### 6-Port, 250 VAC / 300 VDC

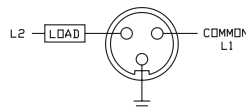
Application	Specifications	Pinout				Part Number
6-port J-box Standard wiring, Minifast connector	4 A/port	<u>Function</u>	<u>Pin / Color</u>	<u>Function</u>	<u>Pin / Color</u>	6 RKF 30-RSF80
	8 A total	Common (L1)	5 / WH	J3 Load (L2)	4 / BK	
	8-pin Minifast connector	Ground	7 / GN	J4 Load (L2)	2 / BU	
	8 conductors. Mates with RKM 86-*M	J1 Load (L2)	6 / RD	J5 Load (L2)	3 / WH / BK	
		J2 Load (L2)	1 / OG	J6 Load (L2)	8 / RD / BK	

### 8-Port, 250 VAC / 300 VDC

Application	Specifications	Pinout				Part Number
8-port J-box Standard wiring, Minifast connector	4 A/port	<u>Function</u>	<u>Pin / Color</u>	<u>Function</u>	<u>Pin / Color</u>	8 RKF 30-RSF100
	7 A total	Common (L1)	10 / WH	J4 Load (L2)	2 / BU	
	10-pin Minifast connector	Ground	8 / GN	J5 Load (L2)	3 / WH / BK	
	10 conductors. Mates with RKM 106-*M	J1 Load (L2)	7 / RD	J6 Load (L2)	4 / RD / BK	
		J2 Load (L2)	1 / OG	J7 Load (L2)	5 / GN / BK	
		J3 Load (L2)	9 / BK	J8 Load (L2)	6 / OG / BK	

We reserve the right to make technical alterations without prior notice.

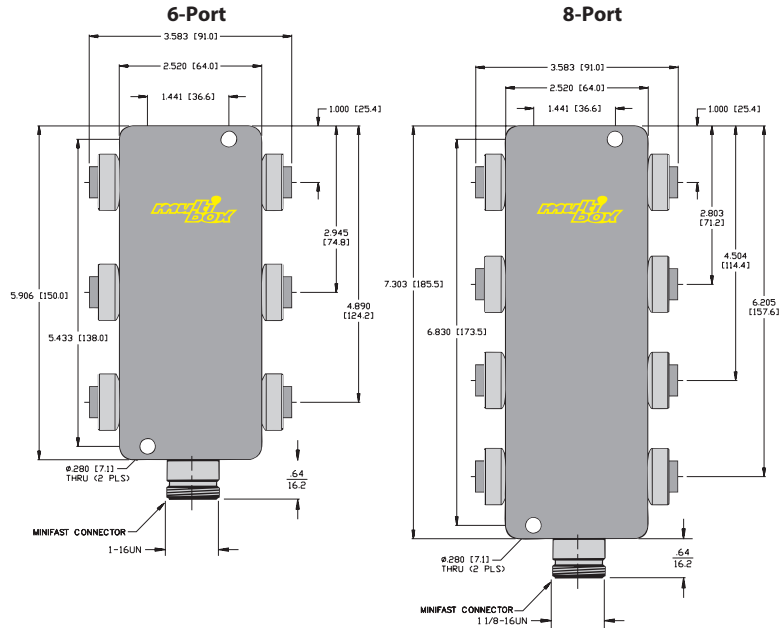
### Functional Wiring Diagrams



### Specifications

<b>Housing:</b>	Die cast aluminum alloy	<b>Temperature:</b>	-30 °C to +80 °C (-22 °F to +176 °F)
<b>Connectors:</b>	Nickel plated brass, oil resistant TPU contact carrier	<b>Protection:</b>	IEC IP67
<b>Contacts:</b>	Gold plated brass		

### Dimensions



We reserve the right to make technical alterations without prior notice.

multibox®, minifast®

#### Notes

Clearance holes for 1/4-20 screws (2 places).  
All housings are 34 mm in height.

#### Pinout

3-pin Minifast	8-pin Minifast	10-pin Minifast
Female	Male	Male

# Junction Box Connectivity Products

## Multibox® Minifast® Junction Boxes with LEDs, 3-pin

- 4 and 8 Ports
- M23 Quick Disconnect or Integral Home Run Cable
- Simplifies Wiring Installations
- LEDs for Power and Signal



### 4-Port, 40-120 VAC

Application	Specifications	Pinout				Part Number
4 port J-box Standard wiring Integral cable	4 A/port, 9 A total PVC cable, black, 7x18 AWG, foil shield and 20 AWG drain	<u>Function</u> Common (L1) LED Power (L2) Ground J1 Load (L2)	<u>Color</u> WH WH / BK GN RD	<u>Function</u> J2 Load (L2) J3 Load (L2) J4 Load (L2)	<u>Color</u> OG BK BU	4 RKF 30-X5-*M
4 port J-box Standard wiring Multifast connector	4 A/port, 7 A total 12-pin Multifast connector, 7 conductors. Mates with CKBM 12-7-*	<u>Function</u> Common (L1) LED Power (L2) Ground J1 Load (L2)	<u>Pin / Color</u> 3 / WH 1 / WH/BK 7 / GN 4 / RD	<u>Function</u> J2 Load (L2) J3 Load (L2) J4 Load (L2)	<u>Pin / Color</u> 5 / OG 2 / BK 6 / BU	4 RKF 30-X5-CS12

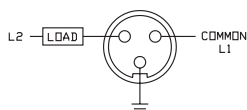
### 8-Port, 40-120 VAC

Application	Specifications	Pinout				Part Number
8 port J-box Standard wiring Integral cable	4 A/port, 9 A total PVC cable, black, 11x18 AWG, foil shield and 20 AWG drain	<u>Function</u> Common (L1) LED Power (L2) Ground J1 Load (L2) J2 Load (L2) J3 Load (L2)	<u>Color</u> WH BU / BK GN RD OG BK	<u>Function</u> J4 Load (L2) J5 Load (L2) J6 Load (L2) J7 Load (L2) J8 Load (L2)	<u>Color</u> BU WH / BK RD / BK GN / BK OG / BK	8 RKF 30-X9-*M
8 port J-box, Standard wiring Multifast connector	4 A/port, 7 A total 12-pin Multifast connector, 11 conductors. Mates with CKBM 12-11-*	<u>Function</u> Common (L1) LED Power (L2) Ground J1 Load (L2) J2 Load (L2) J3 Load (L2)	<u>Pin / Color</u> 11 / WH 7 / BU/BK 9 / GN 10 / RD 1 / OG 12 / BK	<u>Function</u> J4 Load (L2) J5 Load (L2) J6 Load (L2) J7 Load (L2) J8 Load (L2)	<u>Pin / Color</u> 2 / BU 3 / WH / BK 4 / RD / BK 5 / GN / BK 6 / OG / BK	8 RKF 30-X9-CS12

\* Length in meters.

We reserve the right to make technical alterations without prior notice.

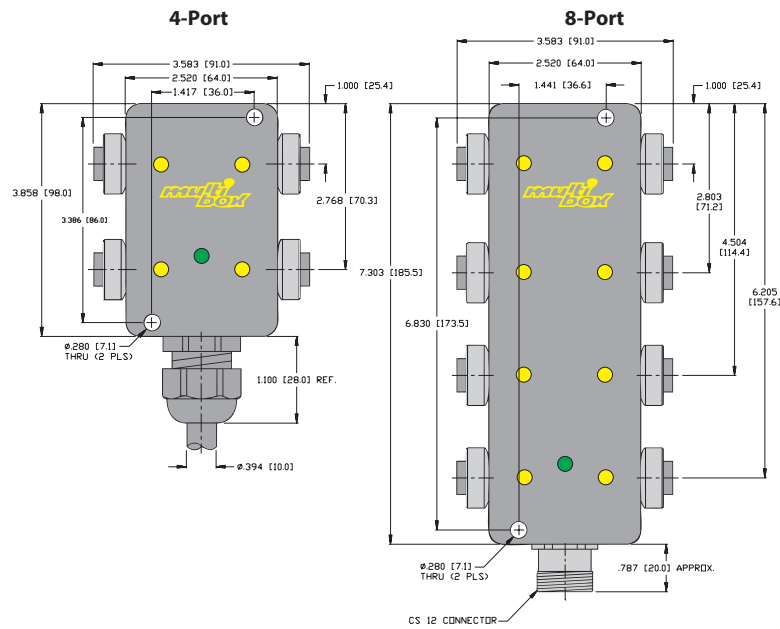
### Functional Wiring Diagrams



### Specifications

<b>Housing:</b>	Die cast aluminum alloy	<b>Temperature:</b>	-30 °C to +80 °C (-22 °F to +176 °F)
<b>Connectors:</b>	Nickel plated brass, oil resistant TPU contact carrier	<b>Protection Class:</b>	IEC IP67
<b>Contacts:</b>	Gold plated brass	<b>Cable Length:</b>	Standard cable length is 6 meters. Other lengths available by request - consult factory
<b>Cable:</b>	See table for specifications		

### Dimensions



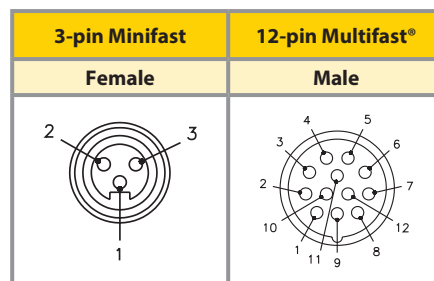
We reserve the right to make technical alterations without prior notice.

multibox®, minifast®

#### Notes

- Clearance holes for 1/4-20 screws (2 places).
- All housings are 34 mm in height.
- Green LED = Power on (center position)
- Yellow LED = Signal (outer position).

#### Pinout



# Junction Box Connectivity Products

## Multibox® Minifast® Junction Boxes with LEDs, 3-pin

- 4 and 8 Ports
- Quick Disconnect Minifast Connector
- Simplifies Wiring Installations
- LEDs for Power and Signal



### 4-Port, 40-120 VAC

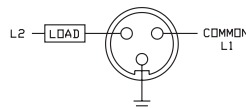
Application	Specifications	Pinout				Part Number
4-port J-box Standard wiring, Minifast connector	4 A/port	<u>Function</u>	<u>Color</u>	<u>Function</u>	<u>Color</u>	4 RKF 30-X5-RSF70
	8 A total	Common (L1)	3 / WH	J2 Load (L2)	5 / OG	
	7-pin Minifast connector	LED Pwr (L2)	1 / WH / BK	J3 Load (L2)	2 / BK	
	7 conductors. Mates with RKM 76-*M	Ground	7 / GN	J4 Load (L2)	6 / BU	
		J1 Load (L2)	4 / RD			

### 8-Port, 40-120 VAC

Application	Specifications	Pinout				Part Number
8-port J-box Standard wiring, Minifast connector	4 A/port	<u>Function</u>	<u>Color</u>	<u>Function</u>	<u>Color</u>	8 RKF 30-X9-RSF120
	7 A total	Common (L1)	11 / WH	J4 Load (L2)	2 / BU	
	12-pin Minifast connector	LED Pwr (L27)	1 / BU / BK	J5 Load (L2)	3 / WH / BK	
	11 conductors. Mates with RKM 126-*M	Ground	9 / GN	J6 Load (L2)	4 / RD / BK	
		J1 Load (L2)	10 / RD	J7 Load (L2)	5 / GN / BK	
		J2 Load (L2)	1 / OG	J8 Load (L2)	6 / OG / BK	
		J3 Load (L2)	12 / BK			

We reserve the right to make technical alterations without prior notice.

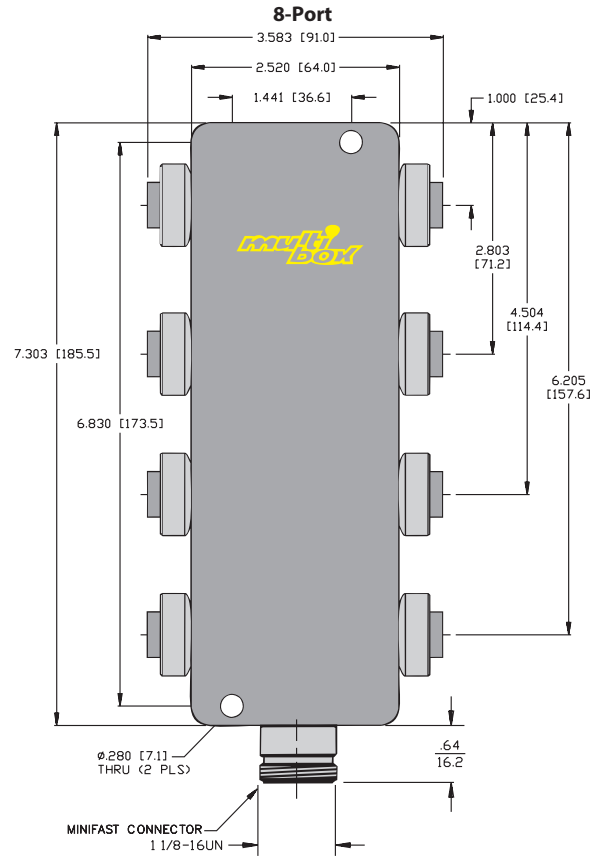
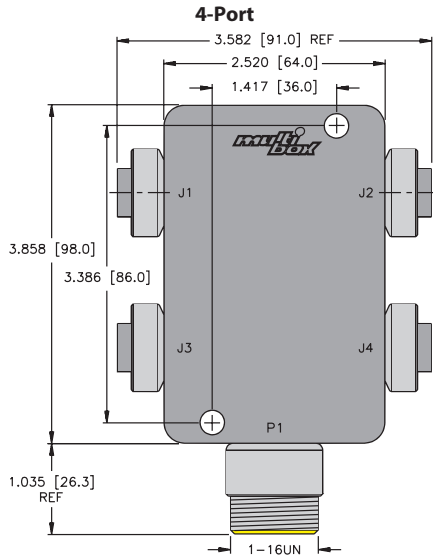
## Functional Wiring Diagrams



### Specifications

<b>Housing:</b>	Die cast aluminum alloy	<b>Temperature:</b>	-30 °C to +80 °C (-22 °F to +176 °F)
<b>Connectors:</b>	Nickel plated brass, oil resistant TPU contact carrier	<b>Protection:</b>	IEC IP67
<b>Contacts:</b>	Gold plated brass		

### Dimensions



We reserve the right to make technical alterations without prior notice.

multibox®, minifast®

#### Notes

Clearance holes for 1/4-20 screws (2 places).  
All housings are 34 mm in height.

#### Pinout

3-pin Minifast	7-pin Minifast	12-pin Minifast
Female	Male	Male